



4700 1/4 DIN FM Approved Limit Controller

- High or low limit control.
- Storage of peak temperature plus duration of alarm condition.
- Plug and Play Technology allows field upgrades.
- Dedicated configuration port allows configuration directly from PC for fast and repeatable configurations.
- Password protection limiting operator access and providing process security.
- Display process value, setpoint or both.



The 4700 is a 1/4 DIN limit controller designed to provide a safety cutout and optional alarm contacts for use in a wide variety of applications.

The 4700 provides a latched relay output which is activated when process parameters either exceed or fall below the desired value, providing a fail safe cutoff which has to be manually reset once the process returns to a safe condition. This limit controller is FM approved.

The 4700 can be either a High Limit or a Low Limit controller. In either case, the relay contact will open and remain open until the process value returns to a safe condition and the reset button is depressed.

LED indicators are used to indicate when the limit has been exceeded and also when an operator has acknowledged the condition. Another LED will show the latch relay state, on or off.

The 4700 has a unique feature that shows both the peak temperature exceeded and the duration time that the setpoint was exceeded. This information can be valuable in determining the damage done to the load/products and equipment/furnace or oven.



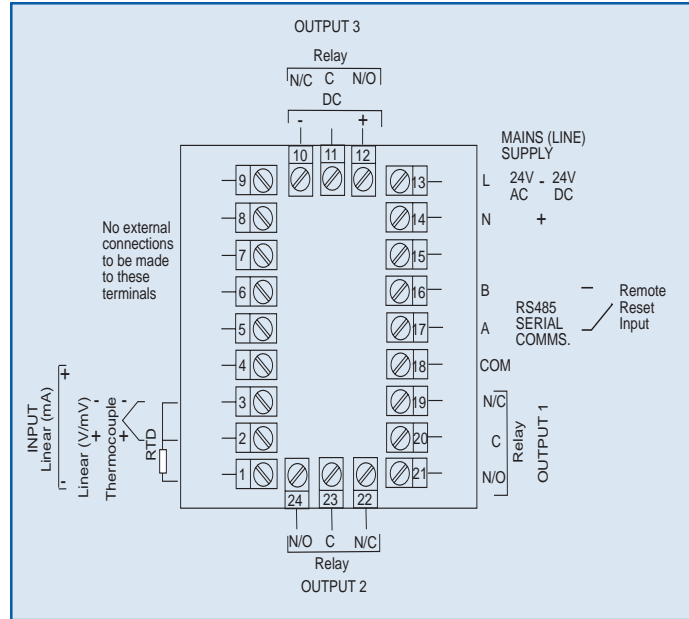
4700 Brief Specs:

Brief Specs:

Inputs:	Thermocouple:	J, K, R, S, T, B, L, N
	RTD:	Pt 100
	DC Linear:	0-20mA, 4-20mA 0-50mV, 10-50mV 0-5V, 1-5V, 0-10V, 2-10V
	Remote Reset:	Voltage free contact or TTL compatible
Output:	Limit Output:	Relay- SPDT 5A at 240V AC
	Alarm Outputs:	2 Alarms as standard Relay- SPDT 2A at 120/240V AC
	Recorder Output:	0-5V and 0-10V Retransmission SP/PV 500 ohm min 0-20mA and 4-20mA 500 ohm min.
	Communications:	RS-485 2 wire
Control:	On Off Control:	Manual Reset
Operating and: Environmental	Accuracy:	±0.25% of span ±1 LSD
	Ambient Temperature:	0°C to 55°C (Operating) -20°C to 80°C (Storage)
	Supply Voltage:	90 to 264V AC 50/60Hz
	Power Consumption:	4W Maximum
	Low Voltage Option:	20-50V AC, 22-65V DC
Dimensions and: Panel Cut Out	Panel Cut-Out:	1/4 DIN - 92mm X 92mm
	Unit Dimensions:	96mm High X 96mm Wide X 100mm Deep

4700 Wiring Diagram and Notes:

Wiring Diagram:



Notes:
