

4100 1/4 DIN Controller

- Two Auto-tune algorithms: Pre-tune plus Self-tune.
- Plug and Play Technology allows field upgradeability.
- Dedicated configuration port allows configuration directly from PC for fast and repeatable configurations.
- Password protection limiting operator access and providing process security.
- Multiple setpoint strategies which allows selection of the way information is presented.



The 4100 is a 1/4 DIN controller which combines sophisticated functionality and built-in versatility with ease of use.

The 4100 incorporates our advanced tuning algorithms, with selectable pre-tune and self-tuning. Pre-tune is used on start-up and is a one step tuning algorithm designed to get you to setpoint fast with self-tuning being enabled near setpoint and normal operating conditions to control overshoot. The self-tune is a continuous tuning algorithm sometimes referred to as *adaptive tuning*. This control can also be manual fine tuned for specific applications.

Our *Plug and Play* Technology allows you the ability to easily add to the controller's features including communication by simply installing additional plug-in boards. Inputs, Outputs, Alarms, and Communications

are all field upgradeable! This capability also allows the user to pay for only the options that are required on today's applications.

The controller is also easy to setup, with an innovative configuration port for off line programming directly from a PC or through a simplified operator's front panel, which also makes accessing information quick and easy. Access can also be limited by either a security code or by setpoint options.

WEST
Brand
INSTRUMENTS

4100 Brief Specs:

Brief Specs:

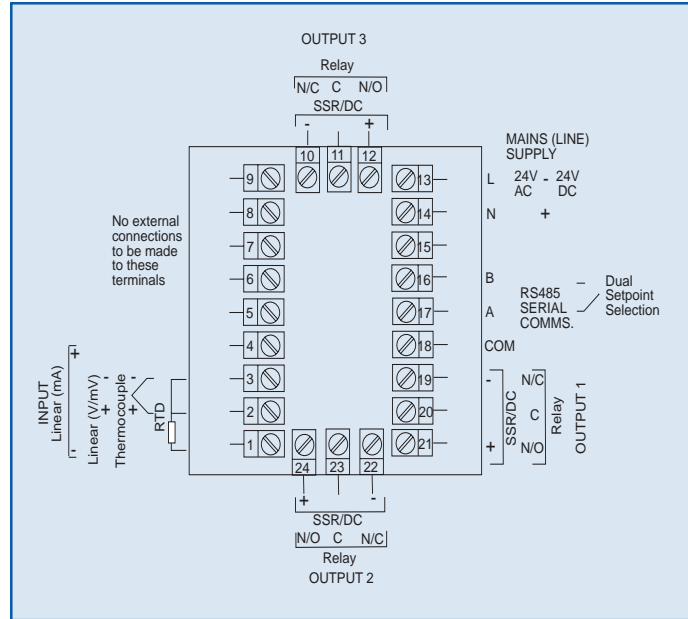
Inputs:	Thermocouple:	J, K, R, S, T, B, L, N
	RTD:	Pt 100
	DC Linear:	0-20mA, 4-20mA 0-50mV, 10-50mV 0-5V, 1-5V, 0-10V, 2-10V
	Dual Setpoint:	Voltage free contact or TTL compatible
Outputs:	Control Outputs:	Relay- SPDT 2A at 240V AC > 5 X 10 ⁵ operations SSR >4.0V DC in 1 K ohm minimum DC Linear-0-20mA, 4-20mA 500 ohm max and 0-10V are all 0-5V 500 ohm max Triac- 1amp @ 40°C, Derate to 1/2amp @ 80°C
	Alarm Outputs:	2 Alarms as standard
	Communications:	2 Relay- 2A at 120/240V AC or 1 SSR >4.2V DC RS-485 2 wire
Control and: Features	Tuning:	Pre-Tune and Self Tune Auto/Manual with "bumpless" transfer
	Proportional Band:	0.5% to 999.9% of input span and ON-OFF
	Auto Reset:	1 second to 99 minutes 59 seconds and OFF
	Manual Reset (Bias): Rate:	0 to 100% 0 to 99 minutes 59 seconds
Operating and: Environmental	Accuracy:	±0.25% of span ±1 LSD
	Ambient Temperature:	0°C to 55°C (Operating) -20°C to 80°C (Storage)
	Supply Voltage:	90 to 264V AC 50/60Hz
	Power Consumption:	4W Maximum
	Low Voltage Option:	20-50V AC, 22-65V DC
	EMI Immunity: EMI Emissions:	Meets with BS EN 50082-2 (1995) Meets with BS EN 50081-2 (1994)
Dimensions and: Panel Cut Out	Panel Cut-Out:	1/4 DIN - 92mm X 92mm
	Unit Dimensions:	96mm High X 96mm Wide X 100mm Deep

4100 Order Matrix:

Order Code	N	4	1	0	1	-	Z								
Model	_____														
Standard Configuration	_____														
Input Type	_____														
	<ul style="list-style-type: none"> 1 - 3 Wire RTD or DC mV 2 - Thermocouple 3 - DC mA 4 - DC Voltage 														
Output 1	_____														
	<ul style="list-style-type: none"> 1 - Relay 2 - DC for SSR 3 - DC 0-10V 4 - DC 0-20mA 5 - DC 0-5V 7 - DC 4-20mA 8 - Triac 														
Output 2	_____														
	<ul style="list-style-type: none"> 0 - Not fitted 1 - Relay 2 - DC for SSR 3 - DC 0-10V 4 - DC 0-20mA 5 - DC 0-5V 7 - DC 4-20mA 8 - Triac 														
Output 3 (Alarm 1 or Recorder O/P)	_____														
	<ul style="list-style-type: none"> 0 - Not fitted 1 - Relay 2 - DC for SSR 3 - DC 0-10V 4 - DC 0-20mA 5 - DC 0-5V 7 - DC 4-20mA 8 - Triac 														
Options	_____														
	<ul style="list-style-type: none"> 10 - RS-485 Serial Communication 02 - 24VAC/DC Power Supply 30 - Dual Setpoint 12 - RS-485 Serial Communication and 24VAC/DC Power Supply 32 - Dual Setpoint and 24VAC/DC Power Supply 														
Specials (Add suffix to part number if required)															
	<ul style="list-style-type: none"> AI - Blank Overlay AL - Dual Color Display (Red and Green) AK - Blank Overlay with Dual Color Display 														

4100 Wiring Diagram and Notes:

Wiring Diagram:



Notes:
